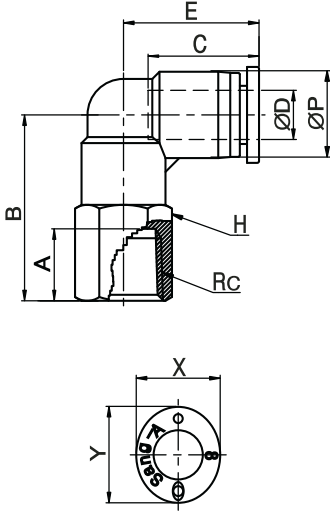


PLF- Dişi Döner Dirsek / Female Elbow



Teknik Çizim / Technical Drawing



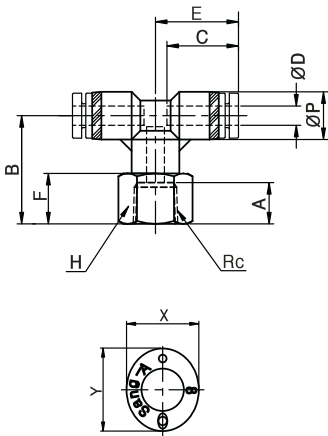
Ölçü Tablosu / Dimension Chart

MODEL	ØD	Rc	ØP	A	B	C	E	H	X	Y	Orifis (mm) Orifice (mm)	Ağırlık (g) Weight (g)	Adet / Kutu Qty / Box
PLF 04-M5	4	M5	10.4	5	16	16	18.5	10	10	12	2	8	100
PLF 04-M6		M6	10.4	6	17	16	18.5	10	10	12	2	9	100
PLF 04-01		G1/8	10.4	9	23.6	16	18.5	14	10	12	2.6	16	100
PLF 04-02		G1/4	10.4	12	26.6	16	18.5	17	10	12	2.6	20	100
PLF 06-M5	6	M5	12.8	5	16	17	20.3	12	12	14	2	12.3	100
PLF 06-M6		M6	12.8	6	17	17	20.3	12	12	14	3	12.3	100
PLF 06-01		G1/8	12.8	9	23	17	20.3	14	12	14	4.6	21	100
PLF 06-02		G1/4	12.8	12	26	17	20.3	17	12	14	4.6	23.3	50
PLF 06-03	8	G3/8	12.8	13	27	17	20.3	21	12	14	4.6	25	50
PLF 08-01		G1/8	14.4	9	26	18.5	22.6	14	14	16	5	18.9	50
PLF 08-02		G1/4	14.4	12	29	18.5	22.6	17	14	16	6	25.9	50
PLF 08-03	10	G3/8	14.4	13	30	18.5	22.6	21	14	16	6	29	50
PLF 10-02		G1/4	17.6	12	33	21	27	17	17	19	8	33.8	25
PLF 10-03		G3/8	17.6	13	34.5	21	27	21	17	19	8	37	25
PLF 10-04	10	G1/2	17.6	16	38	21	27	24	17	19	8	41	25

PTF- Orta Bacak Dişi Te / Female Branch Tee



Teknik Çizim / Technical Drawing



Ölçü Tablosu / Dimension Chart

MODEL	ØD	Rc	ØP	A	B	C	E	H	F	X	Y	Orifis (mm) Orifice (mm)	Ağırlık (g) Weight (g)	Adet/Kutu Qty / Box
PTF 04-M5	4	M5	10.4	5	19.6	16	18.5	10	7	10	12	2.6	12	100
PTF 04-M6		M6	10.4	6	20.6	16	18.5	10	8	10	12	2.6	12.3	100
PTF 04-01		G1/8	10.4	9	23.6	16	18.5	14	11	10	12	2.6	16.9	100
PTF 04-02		G1/4	10.4	12	26.6	16	18.5	17	14	10	12	2.6	21	50
PTF 06-M5	6	M5	12.8	5	20	17	20.4	12	7	12	14	3.5	13.5	50
PTF 06-M6		M6	12.8	6	21	17	20.4	12	8	12	14	4.6	15	50
PTF 06-01		G1/8	12.8	9	24	17	20.4	14	11	12	14	4.6	19	50
PTF 06-02		G1/4	12.8	12	27	17	20.4	17	14	12	14	4.6	26	50
PTF 06-03	8	G3/8	12.8	13	28	17	20.4	21	15	12	14	4.6	33	50
PTF 08-01		G1/8	14.4	9	24.5	18.5	22.7	14	11	14	16	5	23	50
PTF 08-02		G1/4	14.4	12	27.5	18.5	22.7	17	14	14	16	6	30	50
PTF 08-03	10	G3/8	14.4	13	28.5	18.5	22.7	21	15	14	16	6	35	25
PTF 10-02		G1/4	17.6	12	33	21	26.1	17	14	17	19	8	41	25
PTF 10-03		G3/8	17.6	13	34.5	21	26.1	21	15.5	17	19	8	46	25
PTF 10-04	10	G1/2	17.6	16	38	21	26.1	24	19	17	19	8	58	25