

WINMAN Solenoid Valf (3/2 yollu) / Solenoid Valve (3/2 way)

3V1 Serisi / 3V1 Series

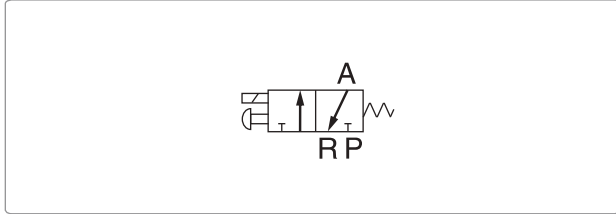


Özellikler / Specification

Model	3V1-M5	3V1-06
Fluid	Air (to be filtered by 40 µ m filter element)	
Acting	Direct acting	
Port size [Note1]	M5	1/8"
Valve type	3 port 2 position	
Lubrication	Not required	
Operating pressure	0~0.8 MPa (0~114psi)	
Proof pressure	1.2 MPa(175 psi)	
Temperature	-20~70°C	
Orifice size	Φ 1.2 mm	
Material of body	Aluminum alloy	

[Note1] PT thread, G thread and NPT thread are available.

Sembol / Symbol



Bobin özellikleri / Coil Specification

Model	Specification				
Standard voltage	AC220V	AC110V	AC24V	DC24V	DC12V
Scope of voltage	AC: ±15% DC: ±10%				
Power consumption	4.5VA	4.5VA	5.0VA	3.0W	3.0W
Protection	IP65(40050)				
Temperature classification	B Class				
Electrical entry	Terminal, Grommet				
Activating time	0.05 sec and below				
Max. frequency [Note 1]	10 cycle/sec				

[Note 1] The maximum actuation frequency is in the no-load state.

Ürün Özelliği / Product Feature

1. Direct acting type and normally closed mode, flexible in direction cahnge.
2. No need to add oil for lbrication.
3. Several valves can be intalled integrately to save installation space.
4. Affiliated manual devices are equipped to facilitate installation and debugging.
5. Several standard voltage grades are optional.

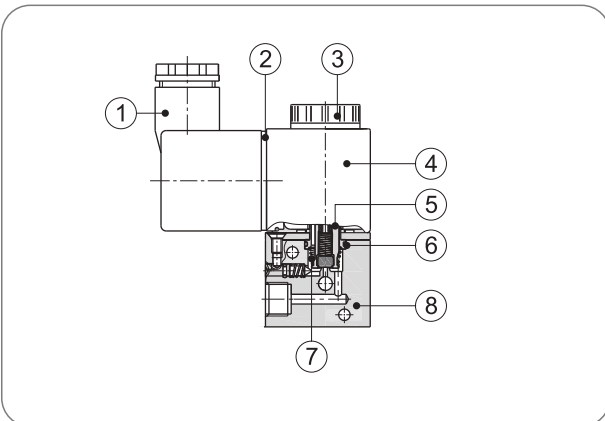
Sipariş kodu / Ordering Code

3V 1 06 A □ □

① ② ③ ④ ⑤ ⑥

① Model	② Code	③ Port size	④ Standard voltage	⑤ Electrical entry	⑥ Thread type
3V: Solenoid valve (3/2 way)	1: 1 Series	M5: M5 06: 1/8"	A: AC220V B: DC24V C: AC110V E: AC24V F: DC12V	Blank: Terminal I: Grommet	No this code Blank: PT G: G T: NPT

İç Yapı / Inner Structure



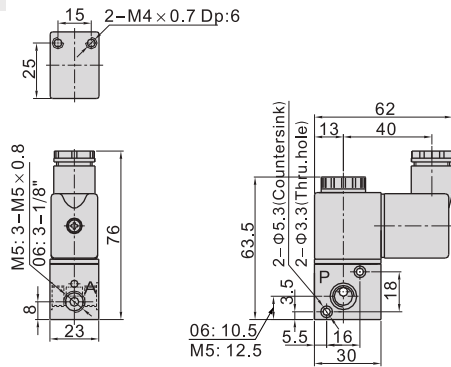
No.	Item	No.	Item	No.	Item
1	Connector	4	Coil	7	Return spring
2	Gasket	5	Armature	8	Body
3	Coil nut	6	O-ring		

WINMAN Solenoid Valf (3/2 yollu) / Solenoid Valve (3/2 way)

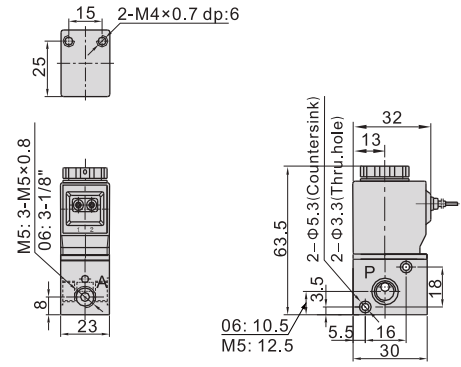
3V1 Serisi / 3V1 Series

Boyutlar / Dimensions

Terminal

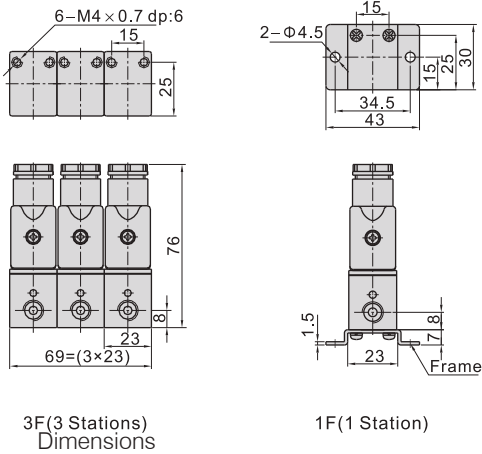


Grommet

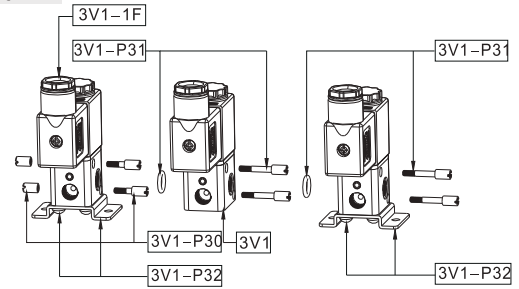


Seri Bağlantı / Series Connection

Dimensions



How to joint



Product structure

Connection Amount(Q.TY)	3V1	3V1-P30	3V1-P31	3V1-P32
3V1-□-□-1F	1	0	0	1
3V1-□-□-2F	2	1	1	1
.....
3V1-□-□- <i>n</i> F	<i>n</i>	1	<i>n</i> -1	2

Note: "n" is the number of junction valve, and $n \geq 3$.

Seri için sipariş kodu / Ordering code for series

3V 1 06 A □ 3F □

① ② ③ ④ ⑤ ⑥ ⑦

① Model	② Code	③ Port size	④ Standard voltage	⑤ Electrical entry	⑥ Number of stations	⑦ Thread type
3V: Solenoid valve (3/2 way)	1: 1 Series	M5: M5 06: 1/8"	A: AC220V B: DC24V C: AC110V E: AC24V F: DC12V	Blank: Terminal I: Grommet	1F: 1 Station 2F: 2 Stations 3F: 3 Stations 20F: 20 Stations	Not this code Blank: PT G: G T: NPT

The above codes have included the series accessories, so it is unnecessary to order the accessories specially. But if you like, you could order as follows.

Code of accessories	Accessory name	Part code	Part name	Quantity
3V1-P30	Coupling screw assembly	F-3V1002B	Coupling screw(S)	2
		F-3V1003B	Coupling screw(M)	2
3V1-P31	Coupling screw assembly	GOR20008N75	O-Ring	1
		F-3V1004B	Coupling screw(L)	2
3V1-P32	Bracket assembly	F-3V1001B	Fixed mounting	1
		GSDA04008ZA	Cross round head screw	2