

WINMAN 316L Stainless Steel Fittings

SSV Series



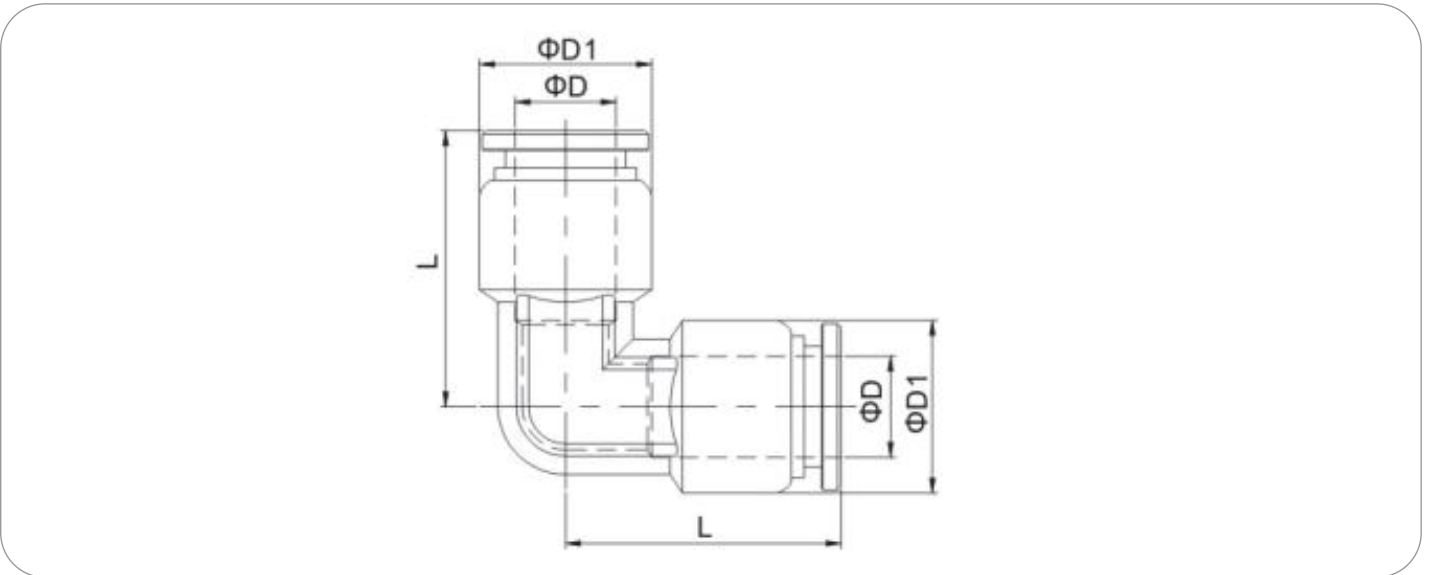
Product features

- The materials ensure Anti-Corrosion highly,all of them are made from SUS316L except the seal ring
- FKM is used as the seal ring,which can ensure Anti-Corrosion and acid resistant, also can be used in high temperature
- The accessories are oil-free and reach the Food Hygiene Law of People's Republic of China, which are applied widely in the range of industry such as food severice inustry,chemical industry and medical industry

Speciality

Fluid	Air, Water, Steam
Operating Pressure	0~1.5 MPa
Max Pressure	-1.8 MPa
Operating Temperature	-20 °C~140 °C

Dimension



MODEL	φD	φD1	L
SSV 04	4	10	18.3
SSV 06	6	12	20.3
SSV 08	8	14	22.3
SSV 10	10	17	26.4
SSV 12	12	20	29.4