

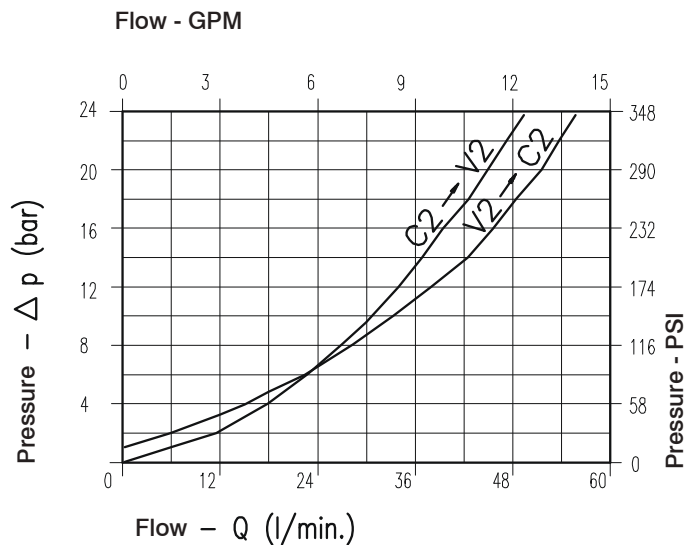
Performance

Rated size	: DN 10
Min/max flow-rate	: 1/60 l/min - 0.26/15.9 GPM
Max peak pressure	: 350 bar - 5075 PSI
Max setting pressure	: 220 bar - 3190 PSI
Standard pilot ratio	: 4.25 : 1
Room temperature	: -30°C + 50°C
Oil temperature	: -30°C + 80°C
Recommended filtration	: 30 micron
Tightening torque	: 110 ÷ 115 Nm
Weight	

Note : Valve should be set at 1.3 times load induced pressure.

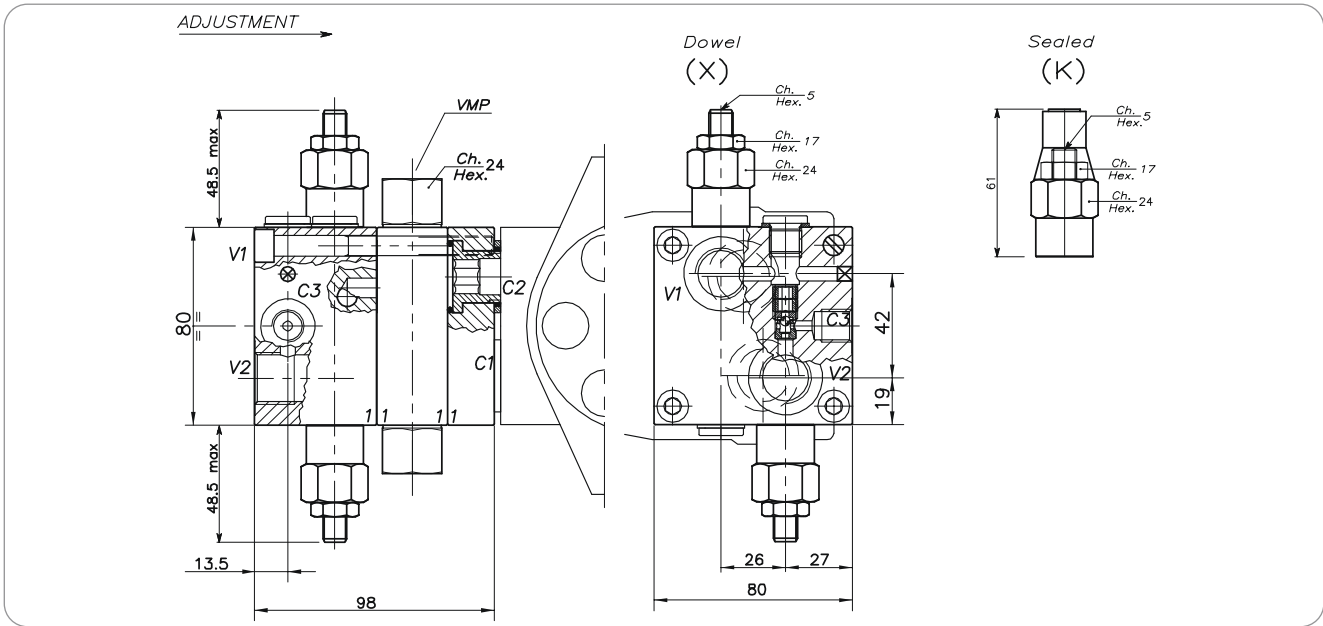
Example :

Max working pressure:
350 bar / 1.3 = 270 bar



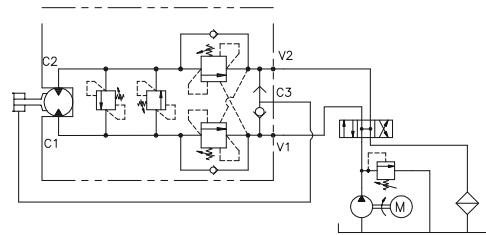
Oil viscosity 46 cSt at 50°C

WINMAN WB-M-DE-VFF-...12-14-... Double Counterbalance / Motor Flangeable Valve With Relief Valves



Dimensions Typical Circuit Example

Setting range	Port size V2-C2 V1-C1 GAS (BSPP)	Port size C3 GAS (BSPP)	Motor type
440	1/2"	1/4"	Samhydraulik AG-BG-AR (40x8) FSH
441	1/2"	1/4"	Olidrive (44x17) FOLD
442	1/2"	1/4"	Samhydraulik HPR-HPRC Danfoss OMS (32x22) FOMS
443	1/2"	1/4"	Danfoss OMR-OMP (36x36) FOMR-OMP



How To Order

N01 **440** **0** **X** **0** **A**

Campo taratura / Setting range

WB)	440	(VMP)	
WB)	441	(VMP)	
WB)	442	(VMP)	
WB)	443	(VMP)	
Setting range 30÷220 bar (green spring)		Setting range 60÷350 bar (yellow spring)	
Std. bar setting (Q=5 l/1') 180 bar	Pressure rise turn of screw (50)	Std. bar setting (Q=5 l/1') 250 bar	Pressure rise turn of screw (90)

Pilot ratios	Adjustment	Body
O 4.25 : 1 D 8 : 1	X Dowel K Sealed	A Zinc plated steel

442
443
440
441

Available aluminium body without "A"