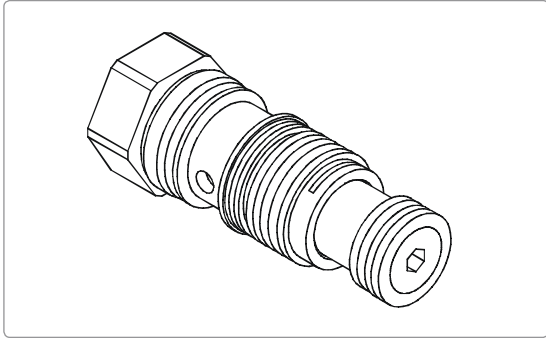


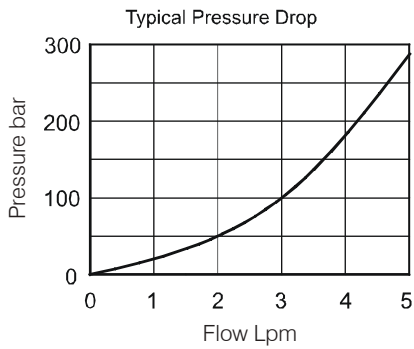
WLSB SERIES CARTRIDGE SHUTTLE VALVES



Özellikler / Specification

Model Number	Operating Pressure (bar)	Flow (lpm)	Weight (kg)
WLSB-02	350 (5076 psi)	10 (2.64 gpm)	0.14(0.31 lbs)
Fluid Type	ISO VG 32,46,68		
Viscosity	10~ 400 (59~ 1854SSU)		
Operating Temperature	°C	-15 ~ 70 (-5~ 158 °F)	
Contamination Level	ISO4406.21/19/16 NAS1638,10		

Performance



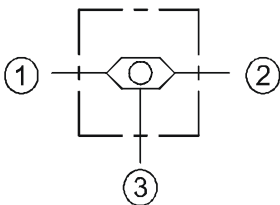
How To Order

1	2
WLSB	02

1 Valve Series
WLSB=Cartridge Shuttle Valves

2 Subplate Mounting Size
02 : T-11A
Cavity :CST-11A

Control Ports



Dimensions

