

## CHECK VALVES

### WVC0.S20 Valve Series



SAE20 Cartridge-350 bar  
Direct acting-Poppet Type

#### Description

A screw-in; cartridge style, direct acting, poppet type check valve. Main use is as a blocking or load-holding device. The WVC0.S20 allows flow passage from port 1 to 2: the cartridge has a fully guided check which is spring-biased closed until sufficient pressure is applied at port 1 to open to 2. The flow is blocked in the opposite direction (2 to 1).

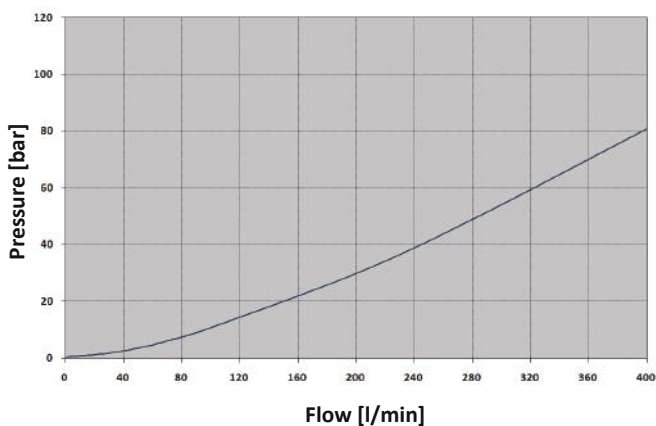
#### Symbols



#### Technical Features

All external surfaces are zinc plated and corrosion-proof. All valve parts are made of high strength steel. Poppet is hardened and ground to guarantee minimal wear and to extend service life. Compact size. Optional bias springs for back-pressure application flexibility. Industry common cavity.

#### Performance Details



#### Technical data

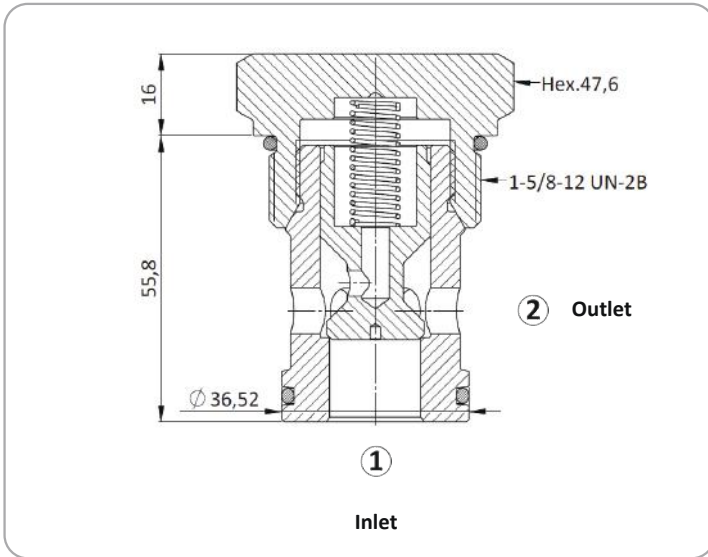
|  |                                  |
|--|----------------------------------|
| Maximum operating pressure               | 350 bar                          |
| Maximum flow                             | 400 l/min                        |
| Internal leakage                         | 0.10 cc/min max @350 bar         |
| Temperature                              | °C<br>-30°C to 110°C             |
| Fluids                                   | Mineral-based or synthetics with |
| Lubricating properties at viscosities of | 7.4 to 420 cSt                   |
| Orientation                              | no restrictions                  |
| Installation torque                      | 200-215 Nm                       |
| Seal kit code                            | SK.078                           |
| Weight                                   | 0.550 kg                         |

Note : The performance chart illustrates flow handling capacity for significant spring bias options. P/Q curves are recorded at TOil = 40° and 46 cSt

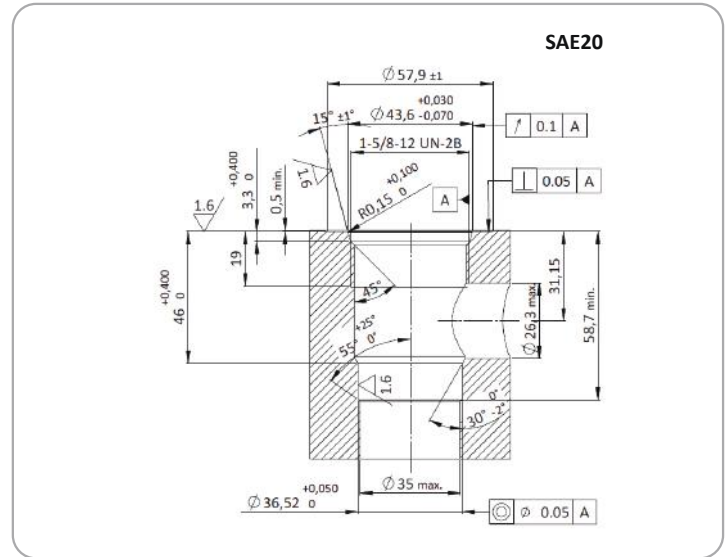
**CHECK VALVES**

**WVC0.S20 Valve Series**

**Cross section**



**Cavity Details**



**Ordering Code**



**Valve basic code**

**Cavity**  
 S20 = 1 5/8-12 UN with  $\varnothing 36,52$  nose size

**000** = Standard configuration

**Bias Spring** (see table below for available options)

**Marking**

**0** = Standard factory marking

Customized markings can be done upon request

**Bais Spring Options**

| Spring Model Code | Cracking pressure [bar] |
|-------------------|-------------------------|
| Y                 | 0.5                     |
| N                 | 1                       |
| B                 | 3                       |